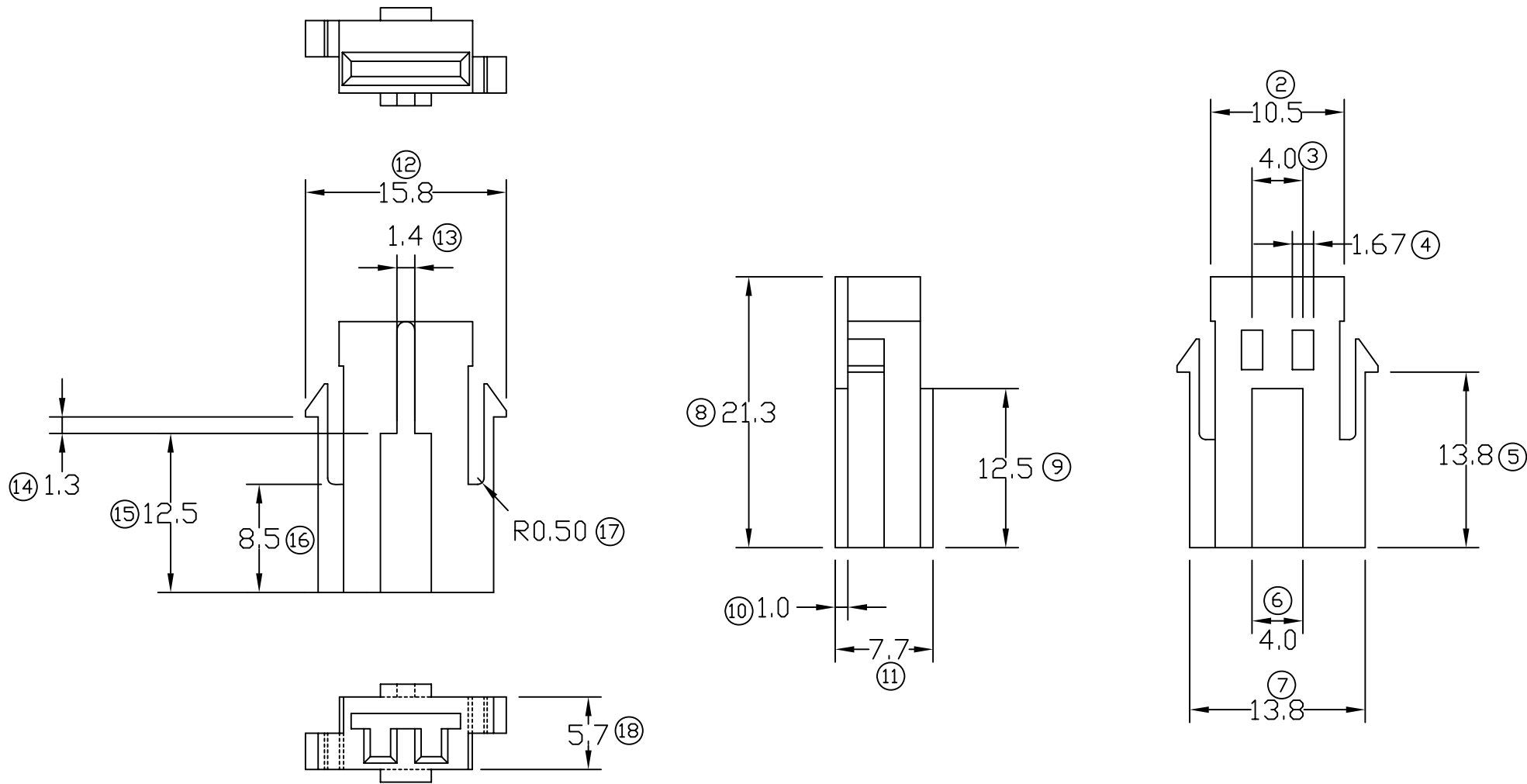


HOUSING SPECIFICATION DRAWING

UNCONTROLLED COPY



FOR REFERENCE ONLY

1) PACKING QTY: 1000 PCS/BAG

SPECIFICATION :

REVISION: 03	
SHEET OF : 1 / 1	

DIMENSIONS : MM
TOLERANCE UNLESS OTHERWISE SPECIFIED:
X.XXX ± 0.05
X.XX ± 0.10
X.X ± 0.20
X ± 0.50

EFFECTIVE DATE :
17/8/07

IVORY	NYLON PA66+30%GF (V0)	PT202-IV
COLOR	MATERIAL	PART NUMBER
EPI Terminals & Connectors Elamp Precision Industry(M) Sdn.Bhd. PART NAME: P.C. BOARD INTERCONNECTORS APPLICABLE (1) TERMINALS (2) HOUSING (1) - (2) -		
DWN: KS YEW	DRAWING NO: A1404	
CHK: HY LIM	SCALE : FREE	
APVD: CHUANG	DRAWING NO: A1404	